

C-Line

Lifting Equipment



5500



4500



Electro-hydraulic two post lifts with top connections. Possibility of installation in **symmetrical** or **asymmetric** version. Realignment of the two carriages using metal cables that guarantee excellent synchronisation. Standard height of two-post connection: 4,050 mm.

Available versions (with optional column extension set):

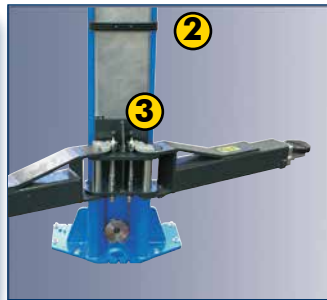
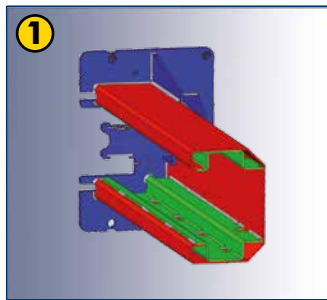
- **V**: Specific for vans (Height of two-post connection: 4,620 mm).
- **XV**: Specific for vans and very high vehicles, extra-high version (Height of two-post connection: 5,220 mm).



Electro-hydraulic two-post lifts

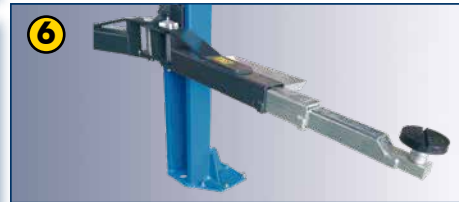
P2C 255 C

P2C 245 C



Technical data

Model	P2C 255C	P2C 245C
<input type="checkbox"/> Lift capacity	5500 kg	4500 kg
<input type="checkbox"/> Lifting time	45 s	
<input type="checkbox"/> Three phase motor	400/230V - 3kW - 3ph - 50 /60 Hz	
<input type="checkbox"/> Single phase motor	230V - 3kW - 1ph - 50 /60 Hz	
<input type="checkbox"/> Max. lifting height	2080 mm	
<input type="checkbox"/> Max. locking position	1957 - 2037 mm	
<input type="checkbox"/> Lift minimum height	100 mm	
<input type="checkbox"/> Height connection	4050/4620/5520 mm	



1. Internally reinforced column structure for little bending and internal cable guiding.
2. Rubber door protections.
3. Toothed sector arm rotation stop system.
4. Electro magnet safety release 24V.
5. Column extension set (Optional).
6. Four three-section symmetrical arms.

Supplied accessories

All models supplied with:

- Safety stop-bar included as standard.
- Two set of extension pads.

Optional accessories



A. 8-43300021

Set of 4 extension for pads, H=35 mm

B. 8-43300014

Set of 4 extension for pads, H=80 mm

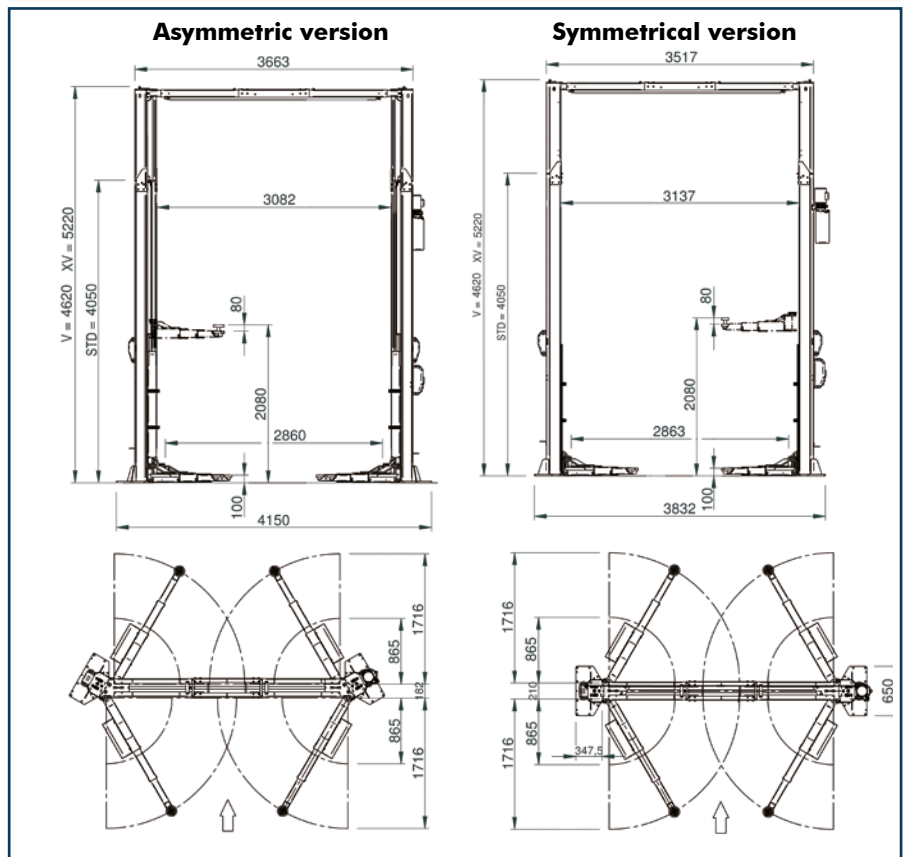
C. 8-43300015

Set of 4 extension for pads, H=140 mm

D. 8-43300016

Set of 4 adapters for Mercedes Sprinter

Dimensions



The illustrations, configurations and technical features in this publication are intended to present the product only, and are subject to variation. To ensure correct ordering, always refer to the current price list.

